

Feast of Trumpets - 2019



Feast of Trumpets Review

The Feast of Trumpets marks the beginning of the Fall Holy Days & many important events & understandings. They are much like valuable nuggets or gems because they help us to understand future events. Match these “treasures of fall” with a main event of that day.

Day of Atonement

1000 yrs of Peace

Feast of Tabernacles

Prayer & Fasting

Feast of Trumpets

2nd Resurrection

Last Great Day

Satan is Locked Up

A treasure is something of great value. Explain the value of each Holy Day to a true believer.

Trumpets

Atonement

Tabernacles

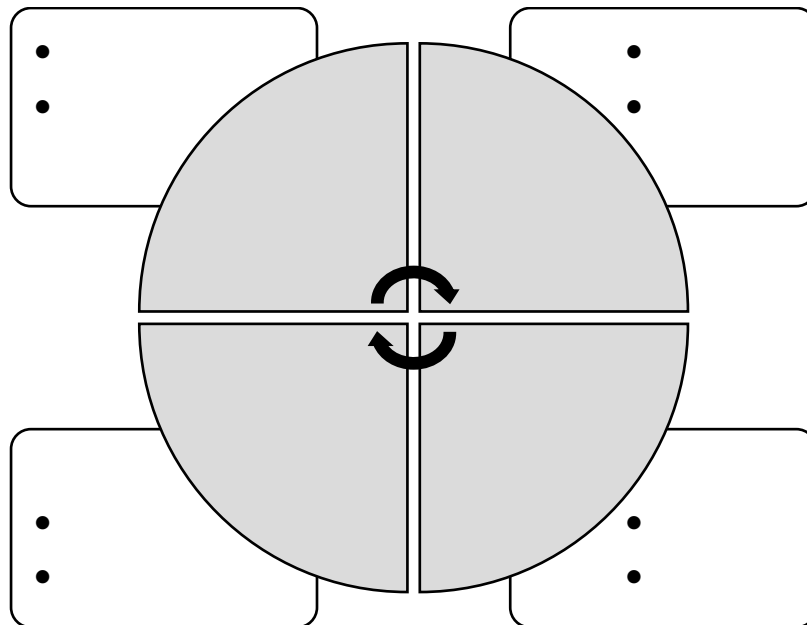
Last Great Day

The Feast of Trumpets illustrate several things in God's Master Plan. Check those things that will be a part of this special day.

- | | |
|---|---|
| <input type="checkbox"/> Fasting & Prayer | <input type="checkbox"/> Saints with Christ |
| <input type="checkbox"/> War between Man & Christ | <input type="checkbox"/> Trumpet Sound |
| <input type="checkbox"/> Death & Destruction | <input type="checkbox"/> Repentance of God |
| <input type="checkbox"/> Time of Peace on Earth | <input type="checkbox"/> Worship/Singing |

Feast of Trumpets as Part of God's Plan

What 4 events are associated with this day throughout time?



Between Pentecost and the Feast of Trumpets, the First Fruits will be on the _____ preparing to return to _____ with _____.

The key to understanding God's Word is _____ to His voice now as we seek to overcome sin in our lives.



The Last Feast of Trumpets of the Age of Man

Read: *The Last Feast of Trumpets of the Age of Man (CBCG, Feast of Trumpets 2019)* as you complete the rest of this study guide.

The *last* Feast of Trumpets is also called the...

The Time of His Coming

The disciples asked Jesus how they would know when He would return to Earth. Read Matthew 24 & page 1 to see what Jesus said. Two main events will need to take place before His return:

1. The _____ would need to be _____
2. The _____ would stand in the _____ & declare to the world that he is _____.





End Time Events


Number these events in chronological order. Refer to pages 2-5 for help. Revelations is not written in chronological order.

- ___ Beast declares he is God.
- ___ Most people receive the mark of the Beast & worship him.
- ___ Temple is rebuilt.
- ___ Tribulation against Israel for 2 years.
- ___ God provides 3 angels with warnings to repent.
- ___ Many will be fooled & believe the Beast.
- ___ Beast calls down fire from heaven.
- ___ Tribulation against the world for 3.5 years.
- ___ Beast demands that everyone worship him.
- ___ A great earthquake takes place.

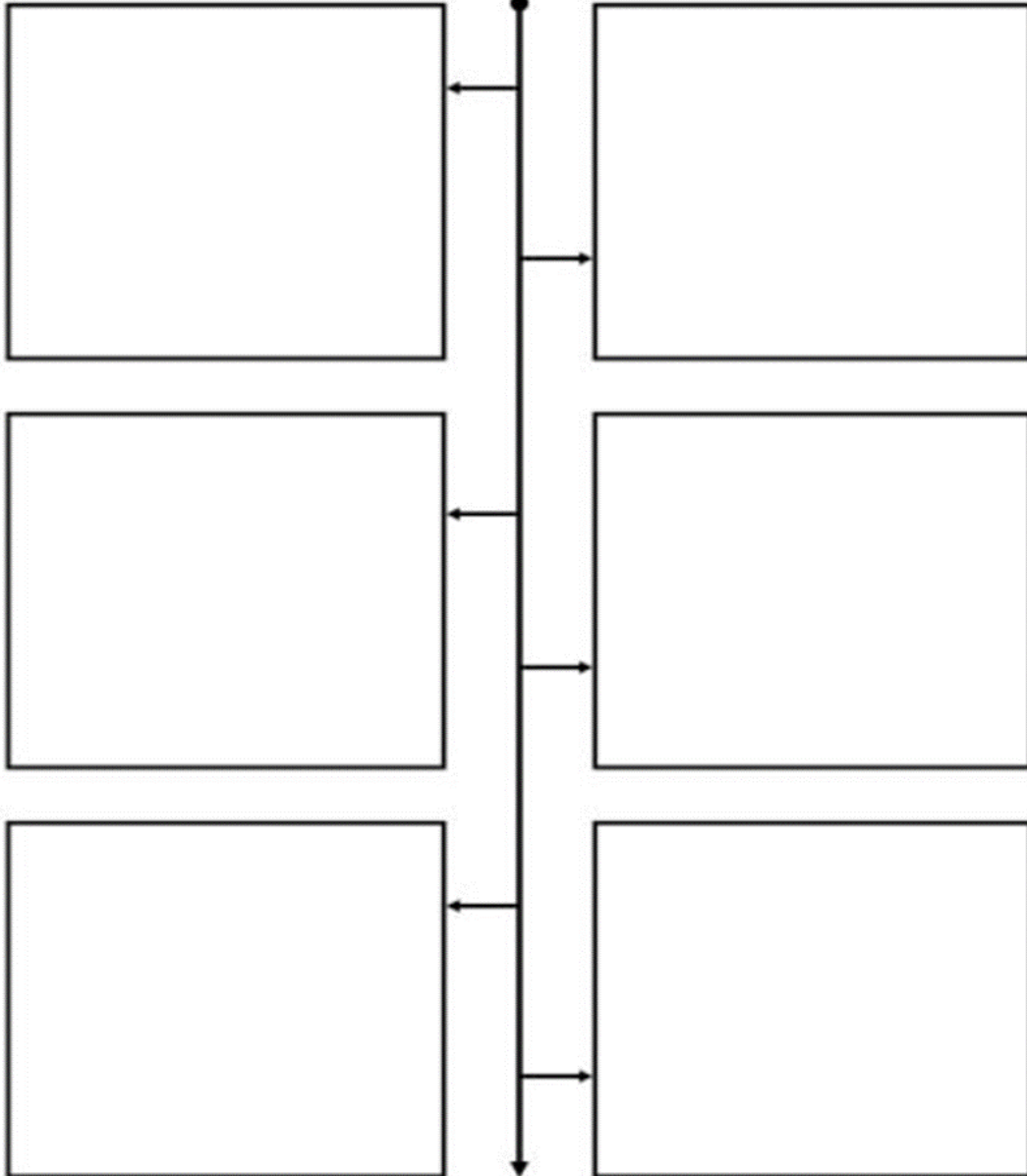


True or False?

- ___ Christ's return will be witnessed by ALL on the Earth.
- ___ The Tribulation begins with great signs & wonders.
- ___ Many of God's elect will be fooled by the signs & wonders.
- ___ A one-world government will be in place during the Tribulation.
- ___ All Christians will escape the persecution and death.
- ___ Almost everyone in the world will worship the Beast.
- ___ Only those who love TRUTH will not worship the Beast.

 As you continue reading the passage, create a broad timeline of events that we can expect to happen. Include as much detail as you can.

TIMELINE





True or False?

- The saints will inherit an Earth that is in good condition.
- The sign of the Son of man is a great moon.
- Babylon the Great encompasses the whole world.
- Some believers will be in a place of safety.
- Eventually, many will repent when things get bad enough.
- God's judgement of Babylon will happen several times.
- The two witnesses being raised from the dead mark the beginning of 2nd resurrection.



On the Sea of Glass

Name 5 things that will happen to the saints on the Sea of Glass as we await the great battle. (p. 9)

1. _____
2. _____
3. _____
4. _____
5. _____



True or False?

- The wedding feast will take place on the Sea of Glass.
- The saints will become spirit beings on the Sea of Glass.
- The saints will fight with Christ as physical beings.



Christ's Return

Who has the authority to overcome death? _____

Why will the people on Earth still want to fight against God?

Describe the plague Christ will provide to those fighting against Jerusalem. (p.11)

Where will Christ land when He comes to the Earth?

_____ of _____



Lake of Fire

Who will be the first 2 to be thrown into the Lake of Fire upon Christ's return? (p. 11)

1. _____ 2. _____



Preparing for Christ's Return

What are 4 things you can do to prepare yourself for Christ's return?

1. _____

2. _____

3. _____

4. _____



Name 5 new things you learned by reading this passage.

1. _____
2. _____
3. _____
4. _____
5. _____



What surprised you most in this passage and why?

Feast of Trumpets

J O F F N S D C T R U M P E T
 X S W P W Q I B E A S T P N D
 R E N B L F J D Q S T B L E H
 B S U O R E D J A R E F A U R
 T S S A I L Q P W K V T G E M
 D E S W J T O A A O H K U Q H
 C N Z U I S C U P E R B E X I
 C T O I T R Q U T V W S S S O
 P I J A E H P E R H J R H T L
 T W S P T P M K C T M G A I Y
 R Y E R T P F A E D S B X T P
 U N A Y L E G Z C J I E G J H
 T E B E Y L J B N C H I D C H
 H H X E V S S T N I A S S F E
 E C E O V E V M T W Q U O B O

TRUMPET
 DEATH
 DESTRUCTION
 REPENT
 BEAST
 TRUTH
 TEMPLE
 WORSHIP
 APOSTASY
 EARTHQUAKE
 SAINTS
 PLAGUES
 WITNESSES
 WRATH



Write a letter to God about what you learned today.

A large, black-and-white outline of a clipboard. At the top center is a clip. Below the clip is a sheet of paper with horizontal lines for writing. The paper is framed by a thick black border.